

## **Counter Anemometer 91ge**

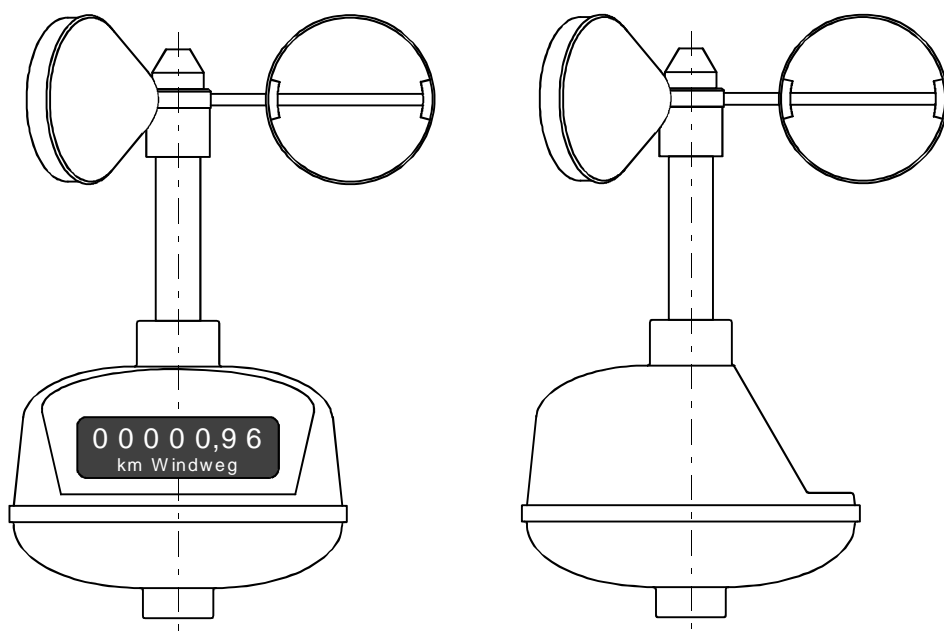


Large Weatherproof Counter Anemometer 91ge is used in wind measurement in the free atmosphere, for whatever periods of time. It is meant for continuous operation in the open and is used to measure air currents in heights from appr. 1.5 m on downwards. Actual position of the counter may be read directly, through the upwards, i. e., at an angle of 30° inclined window. The height of the figures is 8 mm.

The counter anemometer is utilized in meteorology, in agrarian and forestry scientific investigation, in the different branches of industry, and everywhere, where the influence of wind is of importance. In the case of this instrument, the wind run is continuously added up so that mean wind velocity for whatever periods of time may easily be determined by calculation.

The measuring element consists of a three-armed cupwheel with conical cups that under the influence of wind pressure is put into revolutions. The revolutions of the cupwheel, which are proportionate to wind velocity, are transmitted via a gearing to a seven-digit reel counter without zero position that indicates wind run in km (see frontispiece).

From the difference of a counter indication read-off at the beginning and at the end of the measuring period one obtains the wind run effected during the time of measurement is the mean wind velocity of the corresponding period of time.



The counter maximally counts up to 99,999.99 km of wind run. One unit of the last reel of figures corresponds to a wind run of 10 m. In order to fasten the counter anemometer on a steel tube, the hub of the lower part of the casings has an inner diameter of R 1/2". The anemometer is executed in a splashproof kind of way, and the surfaces are protected by an exceptionally weather-resistant light-grey hammertone finish.

## Specification

**91ge** Counter Anemometer for measurement of wind run  
usable for velocities from 0.6 to 60 m/s

Measurement range of counter	: 0 ... 99,999.99 km of wind run
Accuracy of reading	: 10 m
Height	: 250 mm
Diameter of cupwheel	: 220 mm
Weight	: 1,3 kg

**DR. ALFRED MÜLLER**  
**METEOROLOGISCHE INSTRUMENTE KG**  
Chausseestraße 39 / 42c  
D-15712 Königs Wusterhausen

**Tel.:** +49 3375 9025-32  
**Fax:** +49 3375 9025-36  
**e-mail:** dr.a.mueller-r.fuess@t-online.de  
**www.rfuess-mueller.de**